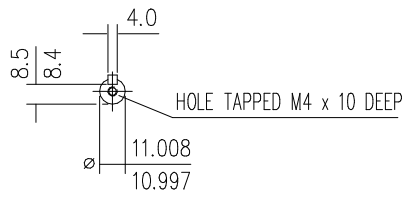
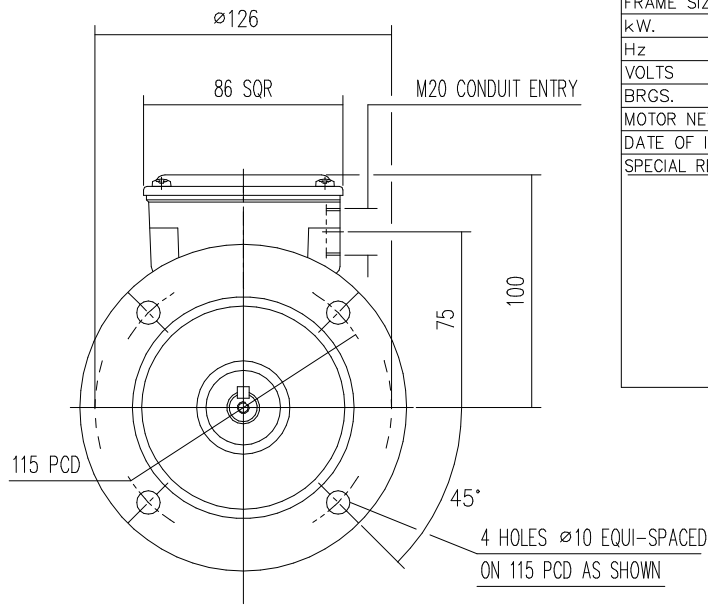
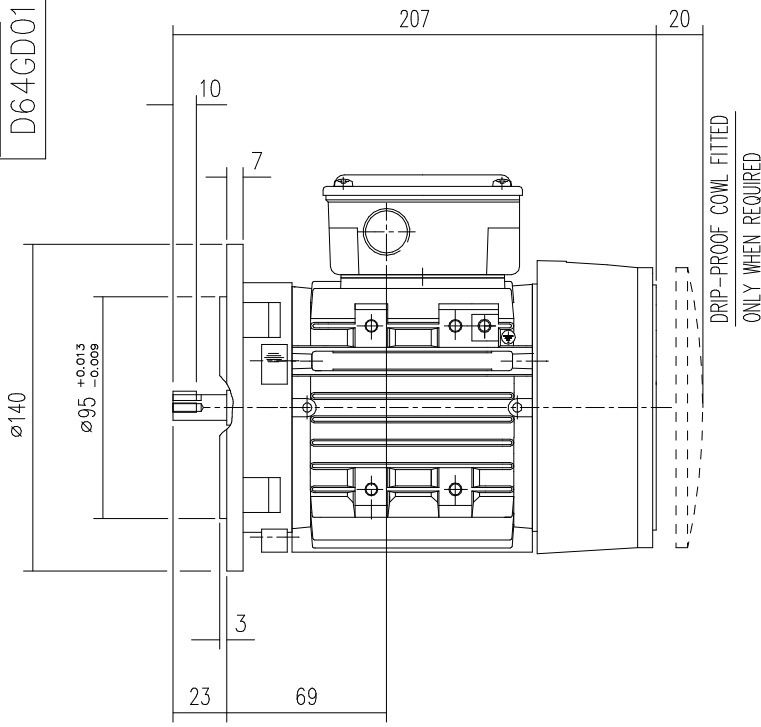


DRAWING NUMBER
D64GD015/2



TERMINAL BOX CAN BE ARRANGED IN 9 OR 3 O'CLOCK POSITIONS.
CONDUIT ENTRY CAN BE ARRANGED IN 4 ALTERNATIVE POSITIONS.
ALL DIMENSIONS IN MILLIMETRES.

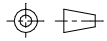
CUSTOMER.		
ORDER No.		
SERIAL No.		
FRAME SIZE		
kW.	RPM.	
Hz	PHASE	
VOLTS	POLES	
BRGS.	DE.	NDE.
MOTOR NETT WT.		Kg.
DATE OF ISSUE		
SPECIAL REMARKS		

TITLE
OUTLINE DIMENSIONS OF TEFV D63S FRAME 'D' METRIC FLANGE MOUNTED ALUMINIUM MOT

DRN. A.H CK'D. D.J.R DATE 4 NOVEMBER 96

SHEET ALT 1 - FLANGE SPIGOT TOL'S AMENDED TO IEC 72 - RR 04-05-01
SIZE ALT 2 - TAPPED HOLE IN SHAFT M4 WAS M5 - DH 28-08-01

Q.A. APPROVED
UNTOLERANCED M/C DIMENSIONS 0.13mm
CERTIFICATED DRGS MUST NOT BE ALTERED WITHOUT BASEEFA APPROVAL. CERTIFICATE RELATED DRGS MUST NOT BE ALTERED WITHOUT DESIGN MANAGER'S APPROVAL.



SCALE HALF SIZE
MAT'L. N/A
DRAWING NUMBER

A3

D64GD015/2